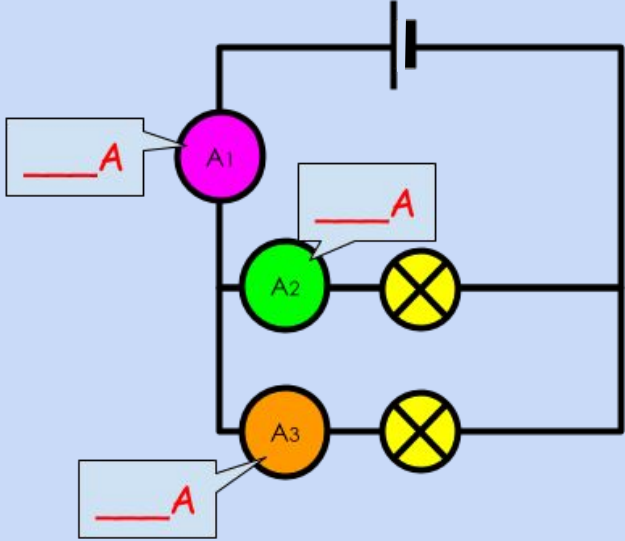
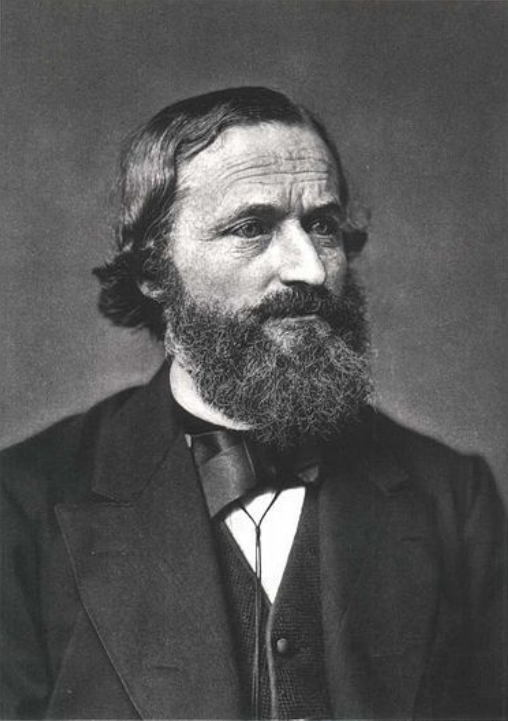
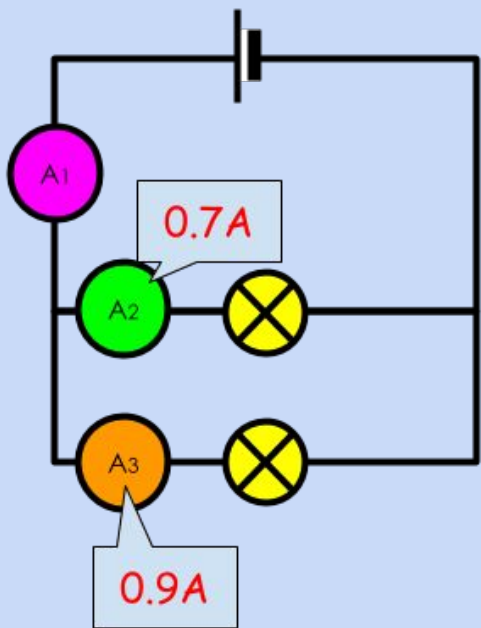


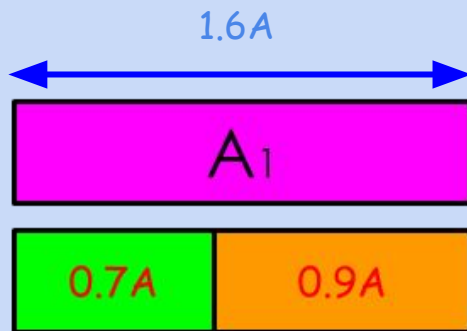
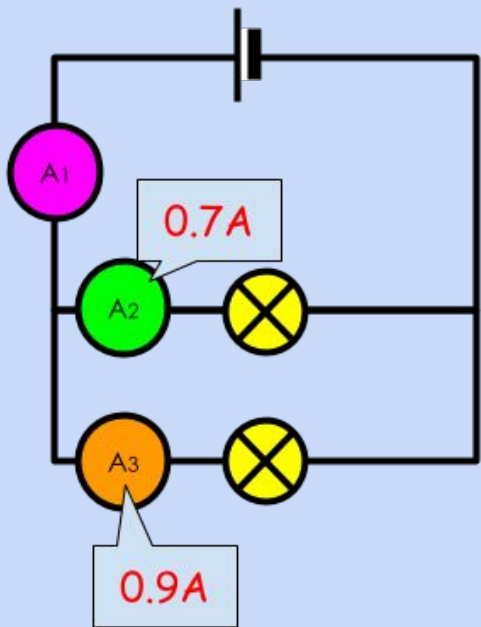
# Ben's Research Lesson: what's the best way to teach Kirchoff's 1st Law?



I do

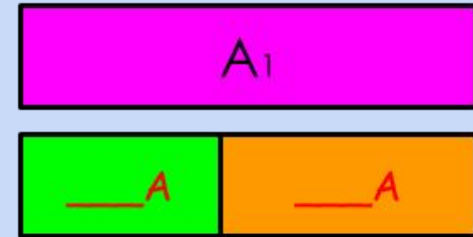
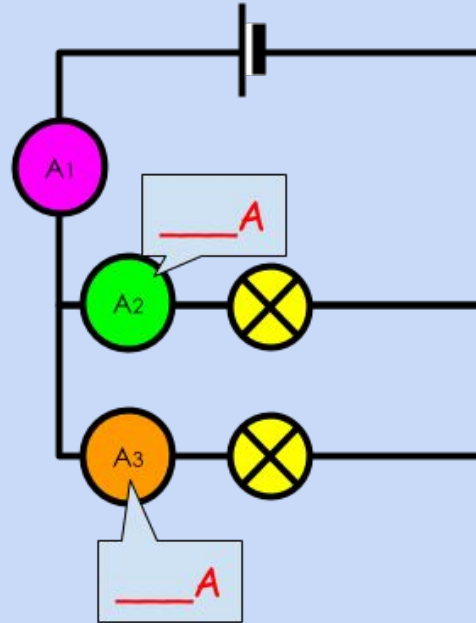


I do



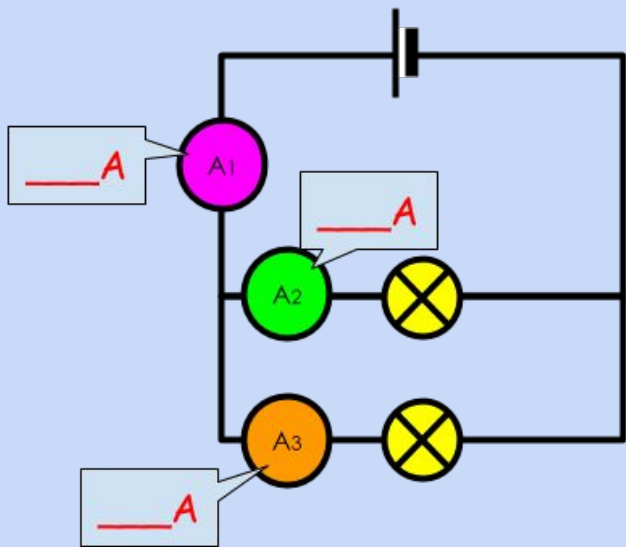
I do

If the current through  $A_2$  is  $0.5\text{A}$  and the current through  $A_3$  is  $0.6\text{A}$ , what is the current through  $A_1$ ?



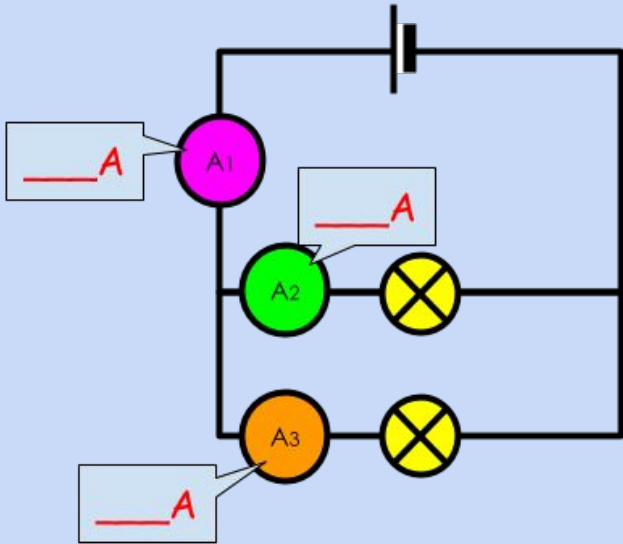
we  
do

If the current through  $A_2$  is 1.2A and the current through  $A_3$  is 0.8A, what is the current through  $A_1$ ?



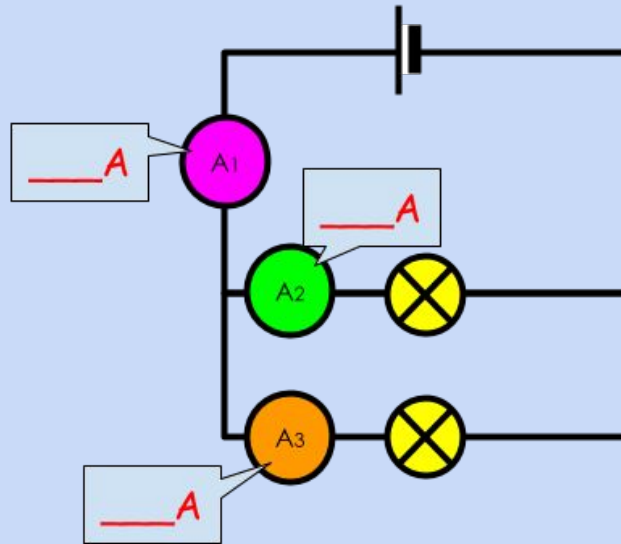
you  
do

If the current through  $A_2$  is 1.0A and the current through  $A_3$  is 0.9A, what is the current through  $A_1$ ?



you  
do

If the current through  $A_1$  is 1.8A and the current through  $A_2$  is 0.9A, what is the current through  $A_3$ ?



you  
do

If the current through  $A_2$  is  $1.5\text{A}$  and the current through  $A_3$  is  $0.3\text{A}$ , what is the current through  $A_1$ ?

